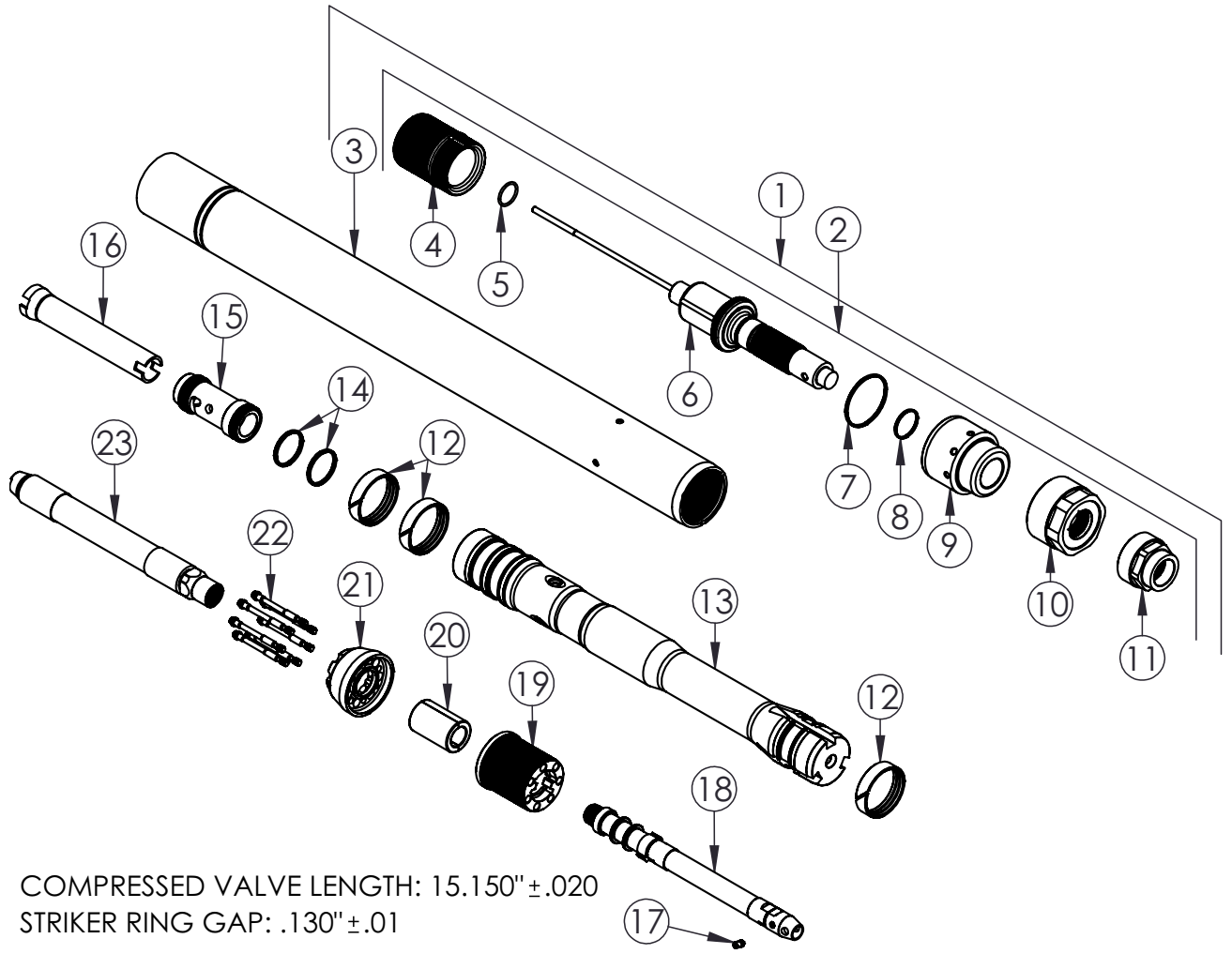


# 4.375" (111 mm) CAT PP DF, PN 43222

CAT – CATAMOUNT, PP – POWER PORT, DF – DEBRIS FREE

## EXPLODED VIEW



4.375" (111 mm) CAT PP DF

HAMMERHEAD®

# 4.375" (111 mm) CAT PP DF, PN 43222

CAT – CATAMOUNT, PP – POWER PORT, DF – DEBRIS FREE

## PARTS LIST

ITEM	PART NUMBER	DESCRIPTION	QTY.	REMARKS
1	43200	BODY ASSY 4-3/8" CTMNT	1	INCLUDES ITEMS 3-11 & 26-29
2	43259	HEAD KIT ASSY 4.375" CAT	1	INCLUDES ITEMS 4-11
4		FRONT ANVIL	1	FACTORY REPLACEABLE
5	918-2423	RING, SEAL	1	FACTORY REPLACEABLE
6		BIT SHAFT ASSEMBLY	1	FACTORY REPLACEABLE
7	43246	RING, SEAL	1	FACTORY REPLACEABLE
8	43245	RING, SEAL	1	FACTORY REPLACEABLE
9		NOSE CAP	1	FACTORY REPLACEABLE
10		HEAD, REAR	1	ANTI-SEEZ & TORQUE TO FRONT HD 1000FT-LB
11		HEAD, FRONT	1	ANTI-SEEZ & SET HD TRVL .13±.01
12	43210	STRIKER RING	3	
13	43204	STRIKER	1	
14	43235	VALVE RING REPLACEMENT KIT 4.38"	1	INCLUDES TWO RINGS & COMPRESSOR
15	43248	VALVE REPLACEMENT KIT 4.375"	1	INCLUDES VALVE, RINGS & COMPRESSOR
16	43217	CONTROL SLEEVE	1	
17	43215	CONTROL STUD	1	ANTI-SEEZ & TORQUE TO 90IN-LB
18	43247	CONTROL STEM MACHINED	1	
19	43205	REAR ANVIL	1	ANTI-SEEZ & HAND TIGHT TO BODY
20	43220	ISOLATOR HALF	2	ANTI-SEEZ ID
21	43206	TAILCONE	1	
22	30221	TAILBOLT	7	ANTI-SEEZ & TORQUE TO 35FT-LB
23	43227	EXTERNAL WHIP	1	TORQUE TO 120FT-LB
24	9517	HEX DRIVER, 1/4"	1	FOR ITEM 17 - NOT SHOWN
25	30260	SOCKET, 3/8" 12-POINT	1	FOR ITEM 22 - NOT SHOWN
26	2101	DECAL, BOX	1	NOT SHOWN
27	2114	DECAL, SMALL TOOL	1	NOT SHOWN
28	2115	DECAL, HAMMERHEAD 12" RED	1	NOT SHOWN
29	923-1877	DECAL, PATENTS	1	NOT SHOWN

924-0029 REV D

4.375" (111 mm) CAT PP DF

HAMMERHEAD®

**Thank you for buying and using Genuine HammerHead  
Trenchless Equipment, parts and accessories.**