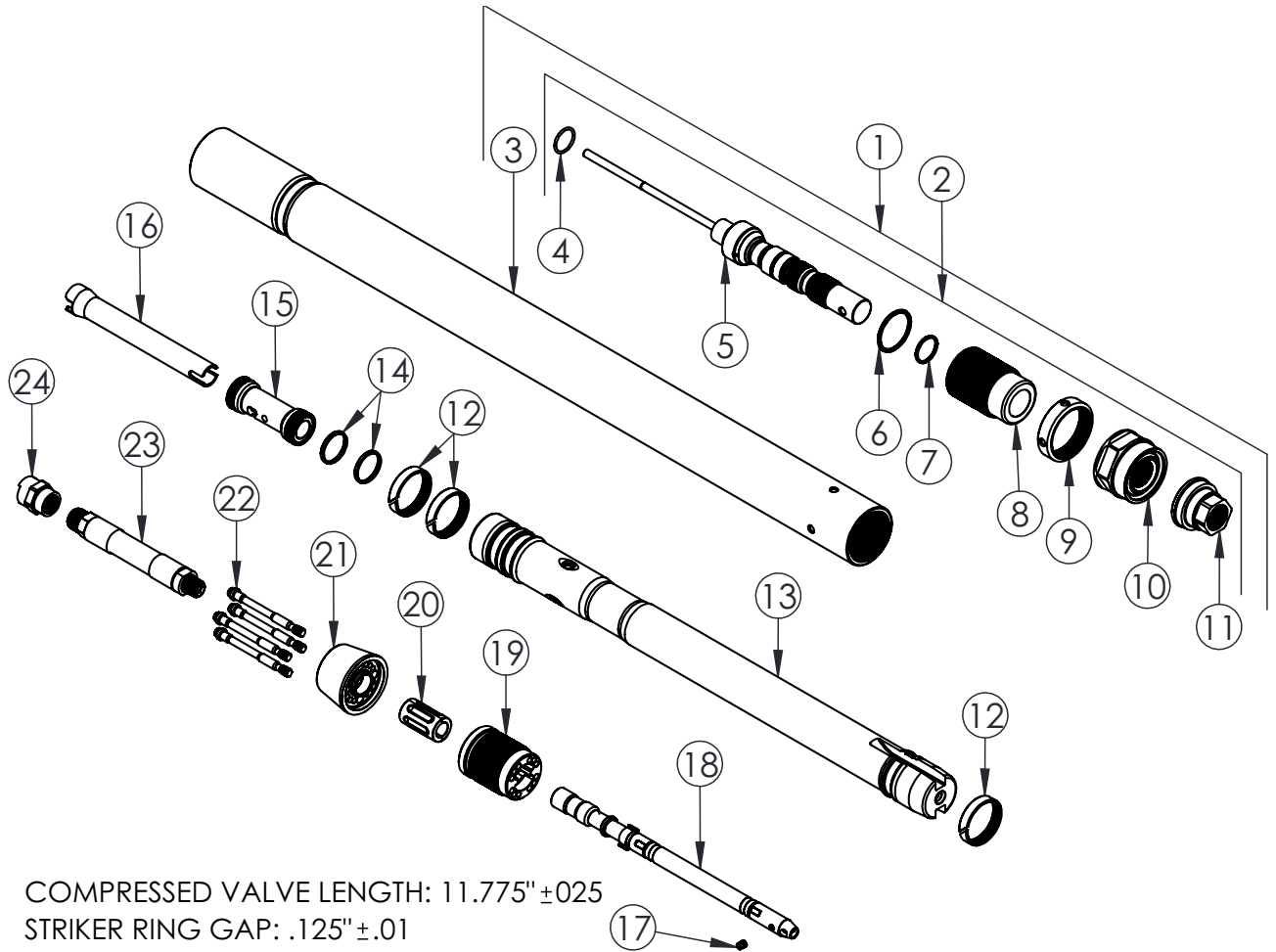


3.00" (75 mm) CAT PP DF JN, PN 30822

CAT – CATAMOUNT, PP – POWER PORT, DF – DEBRIS FREE, JN – JAM NUT

EXPLODED VIEW



3.00" (75 mm) CAT PP DF JN

HAMMERHEAD®

3.00" (75 mm) CAT PP DF JN, PN 30822

CAT – CATAMOUNT, PP – POWER PORT, DF – DEBRIS FREE, JN – JAM NUT

PARTS LIST

| ITEM | PART NUMBER | DESCRIPTION | QTY. | REMARKS |
|------|-------------|---------------------------------------|------|-----------------------------------------|
| 1 | 30808 | BODY ASSY 3.0" CTMNT JN | 1 | INCLUDES ITEMS 3-11 & 27-29 |
| 2 | 30820 | HEAD KIT ASSY 3" JN | 1 | INCLUDES ITEMS 4-11 |
| 4 | 30914 | O-RING, BUNA-N 70 -122 | 1 | FACTORY REPLACEABLE |
| 5 | | BIT SHAFT ASSEMBLY JN | 1 | FACTORY REPLACEABLE |
| 6 | 30925 | RING, SEAL | 1 | FACTORY REPLACEABLE |
| 7 | 30915 | RING, SEAL | 1 | FACTORY REPLACEABLE |
| 8 | | FRONT BUSHING- 3" CTMNT JN | 1 | FACTORY REPLACEABLE |
| 9 | | JAM NUT | 1 | FACTORY REPLACEABLE |
| 10 | | HEAD, RR 3" CTMNT JN | 1 | ANTI-SEEZ & TORQUE TO FRONT HD 800FT-LB |
| 11 | | HEAD, FR 3" CTMNT JN | 1 | ANTI-SEEZ & SET HD TRVL .15 ±.01 |
| 12 | 30210 | STRIKER RING, 3" | 3 | |
| 13 | 30904 | STRIKER-3.0" CTMNT | 1 | |
| 14 | 30921 | VALVE RING REPLACEMENT KIT 3.0" CTMNT | 1 | INCLUDES TWO RINGS & COMPRESSOR |
| 15 | 30919 | VALVE REPLACEMENT KIT-3.0" CTMNT | 1 | INCLUDES VALVE, RINGS & COMPRESSOR |
| 16 | 30717 | CONTROL SLEEVE, 3.0" PP DF | 1 | |
| 17 | 25115 | CONTROL STUD | 1 | ANTI-SEEZ & TORQUE TO 50IN-LB |
| 18 | 30720 | CONTROL STEM, 3.0" PP DF | 1 | |
| 19 | 30715 | REAR ANVIL, 3.0" PP DF | 1 | ANTI-SEEZ & HAND TIGHT TO BODY |
| 20 | 30703 | ISOLATOR HALF, 2.5"&3.0" DF | 2 | ANTI-SEEZ ID |
| 21 | 30716 | TAILCONE, 3.0" PP DF | 1 | |
| 22 | 30221 | TAILBOLT | 4 | ANTI-SEEZ & TORQUE TO 35FT-LB |
| 23 | 40227 | SERV. REAR WHIP | 1 | TORQUE TO 60FT-LB |
| 24 | 40214 | PNEUMATIC FITTING | 1 | TORQUE TO 90FT-LB |
| 25 | 20735 | HEX DRIVER - 5/32" | 1 | FOR ITEM 17 - NOT SHOWN |
| 26 | 30260 | SOCKET, 3/8" 12-POINT | 1 | FOR ITEM 22 - NOT SHOWN |
| 27 | 2114 | DECAL, SMALL TOOL | 1 | NOT SHOWN |
| 28 | 2115 | DECAL, HAMMERHEAD 12" RED | 1 | NOT SHOWN |
| 29 | 923-1877 | DECAL, PATENTS | 1 | NOT SHOWN |

924-0022 REV G

3.00" (75 mm) CAT PP DF JN

HAMMERHEAD®

Thank you for buying and using Genuine HammerHead
Trenchless Equipment, parts and accessories.