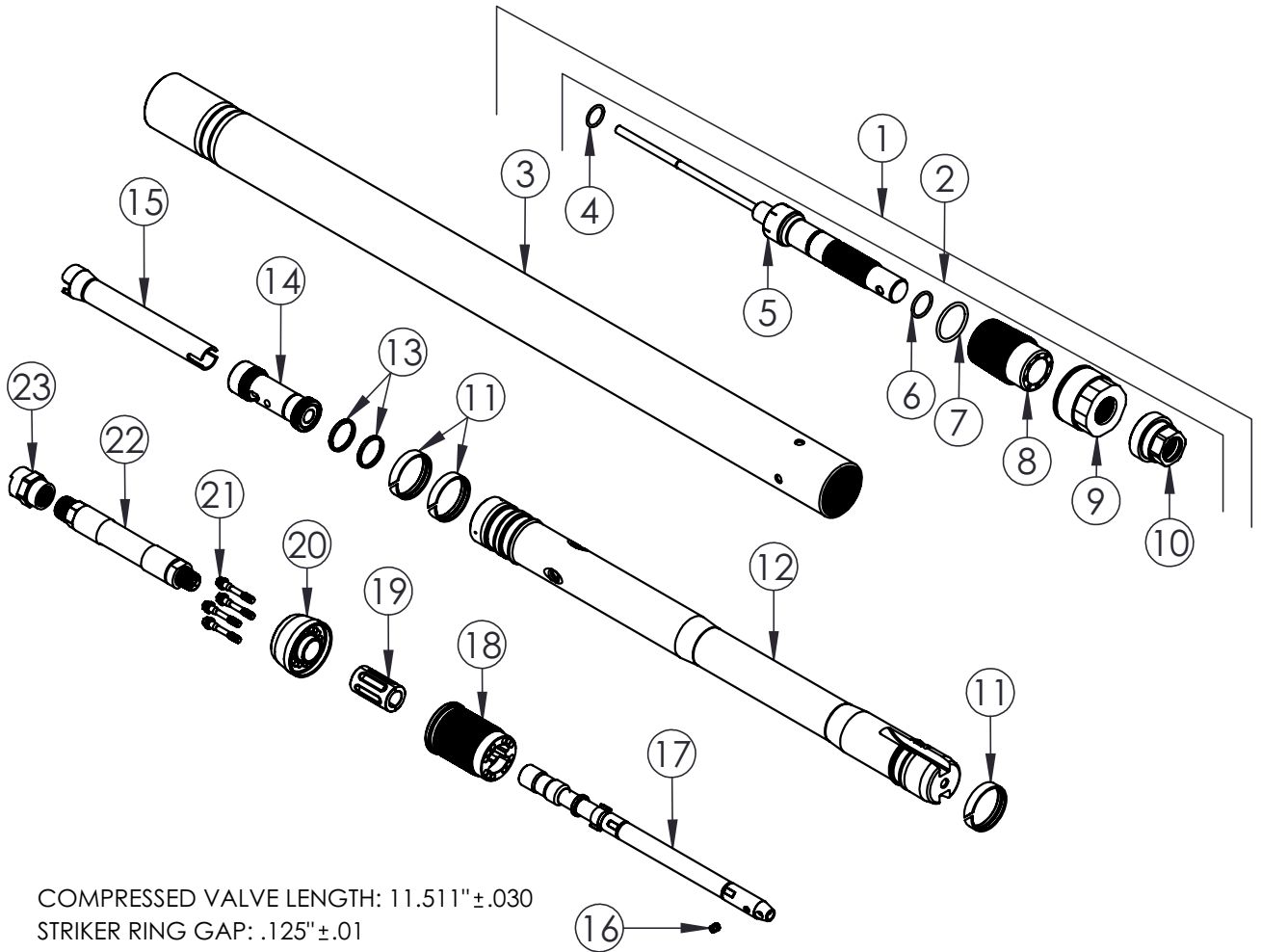


2.50" (67 mm) CAT PP DF, PN 26822

CAT – CATAMOUNT, PP – POWER PORT, DF – DEBRIS FREE

EXPLODED VIEW



2.50" (67 mm) CAT PP DF

HAMMERHEAD®

2.50" (67 mm) CAT PP DF, PN 26822

CAT – CATAMOUNT, PP – POWER PORT, DF – DEBRIS FREE

PARTS LIST

ITEM	PART NUMBER	DESCRIPTION	QTY.	REMARKS
1	26120	BODY ASSY 2.5" CTMNT	1	INCLUDES ITEMS 3, 4-10 & 28-30
2	26140	BODY FRT REPLACEMENT KIT, 2.5" CTMNT	1	INCLUDES ITEMS 4-10
4	26114	O-RING, BUNA-N 70-118	1	ANTI-SEEZ
5	26105	BIT SHAFT ASSEMBLY	1	ANTI-SEEZ
6	918-0722	O-RING, BUNA-N 70-121	1	ANTI-SEEZ
7	26115	O-RING, BUNA-N 70-223	1	ANTI-SEEZ
8	26103	FRONT BUSHING- 2-1/2" CTMNT	1	ANTI-SEEZ & TORQUE TO 1060FT-LB
9	26107	HEAD, RR 2-1/2" CTMNT	1	ANTI-SEEZ & SET HD TRVL .13±.01
10	26108	HEAD, FR 2-1/2" CTMNT	1	ANTI-SEEZ & TORQUE TO 600FT-LB
11	25210	STRIKER RING, 2-1/2"	3	
12	26104	STRIKER-2-1/2" CTMNT	1	
13	26121	VALVE RING REPLACEMENT KIT 2.5" CTMNT	1	INCLUDES TWO RINGS & COMPRESSOR
14	26139	VALVE REPLACEMENT KIT-2.5" CTMNT	1	INCLUDES VALVE, RINGS & COMPRESSOR
15	25617	CONTROL SLEEVE, 2.5"PP DF	1	
16	25115	CONTROL STUD	1	ANTI-SEEZ & TORQUE TO 50IN-LB
17	25620	CONTROL STEM, 2.5" PP DF	1	
18	25615	REAR ANVIL, 2.5" PP DF	1	ANTI-SEEZ & HAND TIGHT TO BODY
19	30703	ISOLATOR HALF, 2.5"&3.0" DF	2	ANTI-SEEZ ID
20	25616	TAILCONE, 2.5" PP DF	1	
21	25121	TAILBOLT-9MM HEX	4	ANTI-SEEZ & TORQUE TO 28FT-LB
22	40227	SERV. REAR WHIP	1	TORQUE TO 60FT-LB
23	40214	PNEUMATIC FITTING	1	TORQUE TO 90FT-LB
24	20735	HEX DRIVER - 5/32"	1	FOR ITEM 16 - NOT SHOWN
25	25114	9MM HEX DP WL SOCKET	1	FOR ITEM 21 - NOT SHOWN
26	30448	A.H. AND CTMNT TOOLING	1	FOR ITEMS 9 & 10 - NOT SHOWN
27	30930	SERV. KIT 2.5"&3.0" CTMNT BODY BUSHING	1	FOR ITEM 8 - NOT SHOWN
28	2114	DECAL, SMALL TOOL	1	NOT SHOWN
29	2115	DECAL, HAMMERHEAD 12" RED	1	NOT SHOWN
30	923-1877	DECAL, PATENTS	1	NOT SHOWN

924-0014 REV E

2.50" (67 mm) CAT PP DF

HAMMERHEAD®

Thank you for buying and using Genuine HammerHead
Trenchless Equipment, parts and accessories.