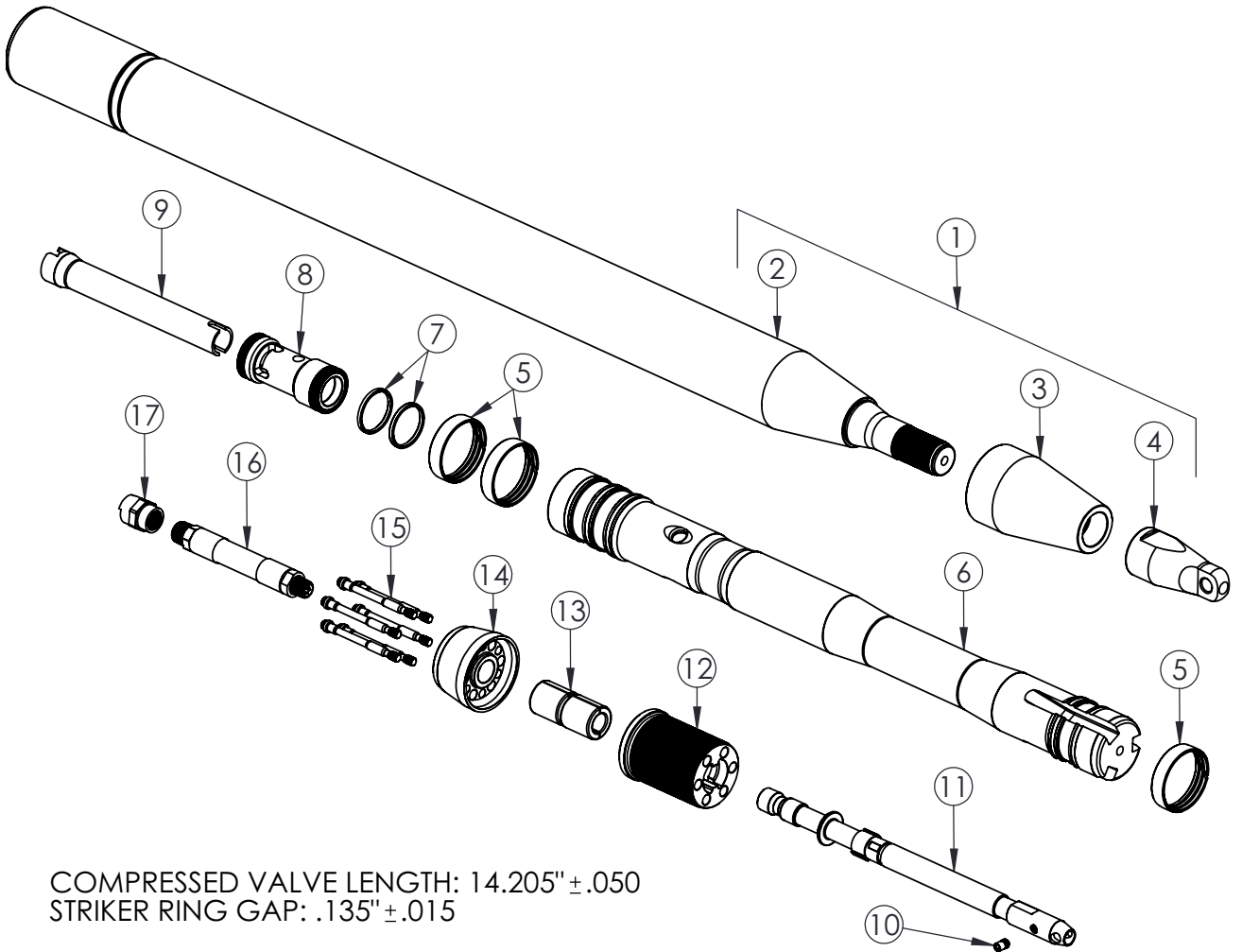


# 4.00" (98 mm) RH PP DF, PN 40422

RH – REPLACEABLE HEAD, PP – POWER PORT, DF – DEBRIS FREE

## EXPLODED VIEW



4.00" (98 mm) RH PP DF, PN 40422

HAMMERHEAD®

For the latest in trenchless equipment and solutions or to find your local authorized dealer, visit our website at [www.hammerheadtrenchless.com](http://www.hammerheadtrenchless.com).

# 4.00" (98 mm) RH PP DF, PN 40422

RH – REPLACEABLE HEAD, PP – POWER PORT, DF – DEBRIS FREE

## PARTS LIST

ITEM	PART NUMBER	DESCRIPTION	QTY.	REMARKS
1	40418	BODY ASSY, 4.0" RH PP	1	INCLUDES ITEMS 2, 3, 4 & 21-23
3	38206	WEAR FACE, 3 7/8"	1	FACTORY REPLACEABLE
4	38207	ANVIL NUT	1	ANTI-SEEZ & TORQUE TO 600FT-LB
5	38208	STRIKER RING, 3 7/8"	3	
6	40409	4.0" STRIKER RH	1	
7	40423	VALVE RING REPLACEMENT KIT 4.0"	1	INCLUDES TWO RINGS & COMPRESSOR
8	40421	VALVE REPLACEMENT KIT, 4.0"	1	INCLUDES VALVE, RINGS & COMPRESSOR
9	40405	CONTROL SLEEVE, 4.0" PP	1	
10	43215	CONTROL STUD	1	ANTI-SEEZ & TORQUE TO 90IN-LB
11	40420	CONTROL STEM, 4.0"	1	
12	40415	REAR ANVIL, 4.0"	1	ANTI-SEEZ & HAND TIGHT TO BACK OF BODY
13	40404	ISOLATOR HALF, 4.0"	4	ANTI-SEEZ ID & OD
14	40416	TAILCONE, 4.0"	1	
15	30221	TAILBOLT	6	ANTI-SEEZ & TORQUE TO 35FT-LB
16	40227	SERV. REAR WHIP	1	TORQUE TO 60FT-LB
17	40214	PNEUMATIC FITTING	1	TORQUE TO 90FT-LB
18	30260	SOCKET, 3/8" 12-POINT	1	FOR ITEM 15 - NOT SHOWN
19	9517	HEX DRIVER, 1/4"	1	FOR ITEM 10 - NOT SHOWN
20	40357	SOCKET, FRONT ANVIL NUT	1	FOR ITEM 4 - NOT SHOWN
21	2114	DECAL, SMALL TOOL	1	NOT SHOWN
22	2115	DECAL, HAMMERHEAD 12" RED	1	NOT SHOWN
23	923-1877	DECAL, PATENTS	1	NOT SHOWN

924-0046 REV E

4.00" (98 mm) RH PP DF, PN 40422

HAMMERHEAD®

**Thank you for buying and using Genuine HammerHead  
Trenchless Equipment, parts and accessories.**