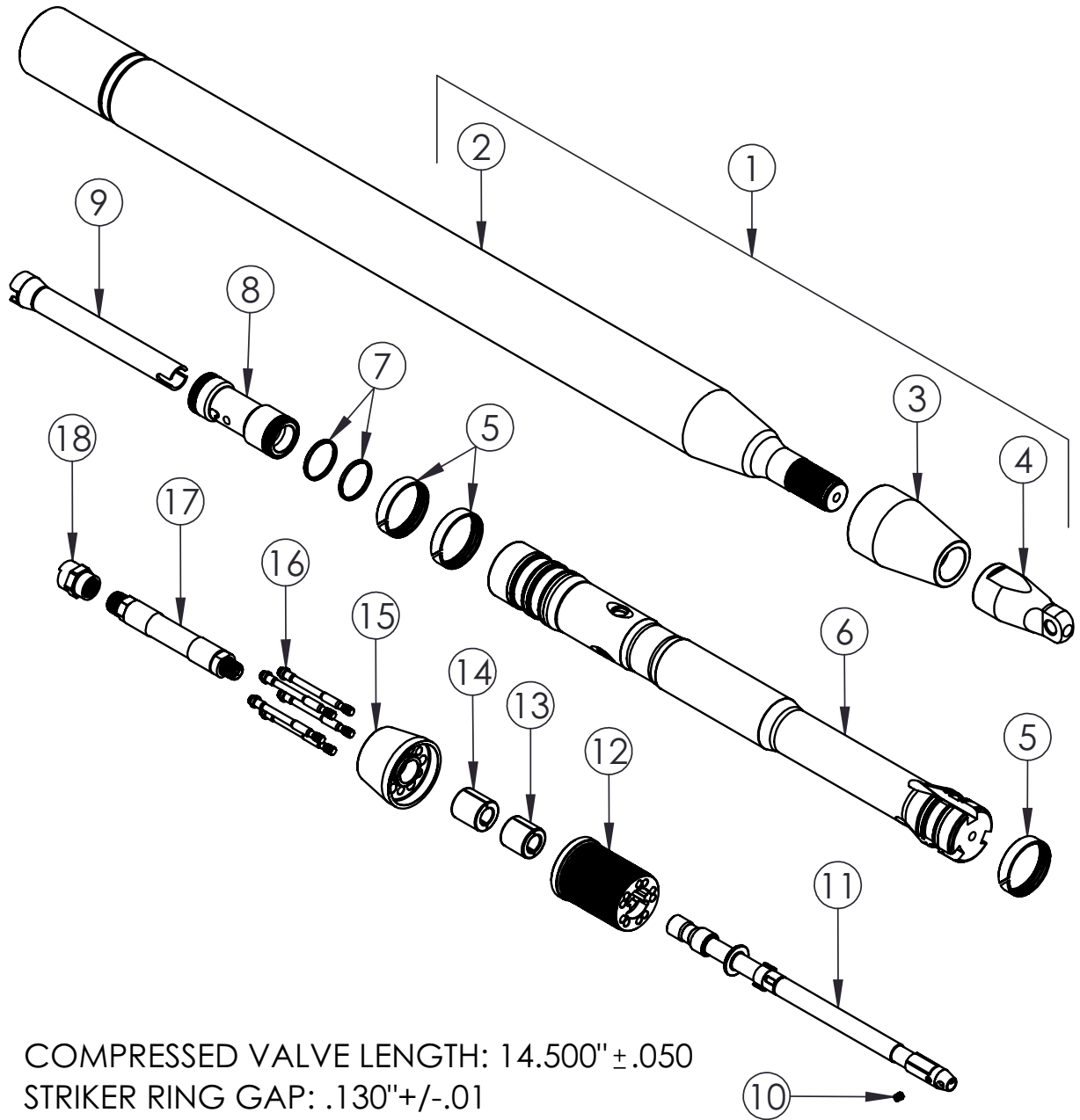


3.50" (89 mm) RH PP DF, PN 35022

RH – REPLACEABLE HEAD, PP – POWER PORT, DF – DEBRIS FREE

EXPLODED VIEW



3.50" (89 mm) RH PP DF

HAMMERHEAD®

3.50" (89 mm) RH PP DF, PN 35022

RH – REPLACEABLE HEAD, PP – POWER PORT, DF – DEBRIS FREE

PARTS LIST

| ITEM | PART NUMBER | DESCRIPTION | QTY. | REMARKS |
|------|-------------|----------------------------------|------|------------------------------------|
| 1 | 35040 | BODY ASSEMBLY 3.5" RH | 1 | INCLUDES ITEMS 2, 3, 4 & 22-24 |
| 3 | 35027 | WEAR FACE, 3.5" | 1 | FACTORY REPLACEABLE |
| 4 | 38207 | ANVIL NUT | 1 | ANTI-SEEZ & TORQUE TO 1000FT-LB |
| 5 | 35010 | STRIKER RING | 3 | |
| 6 | 35014 | STRIKER 3.5" FH | 1 | |
| 7 | 35043 | VALVE RING REPLACEMENT KIT, 3.5" | 1 | INCLUDES TWO RINGS & COMPRESSOR |
| 8 | 35042 | VALVE REPLACEMENT KIT, 3.5" | 1 | INCLUDES VALVE, RINGS & COMPRESSOR |
| 9 | 35017 | CONTROL SLEEVE, 3.5" | 1 | |
| 10 | 25115 | CONTROL STUD | 1 | ANTI-SEEZ & TORQUE TO 50IN-LB |
| 11 | 35020 | CONTROL STEM, 3.5" | 1 | |
| 12 | 35005 | REAR ANVIL, 3.5" | 1 | ANTI-SEEZ & HAND TIGHT TO BODY |
| 13 | 35033 | ISOLATOR HALF, 3.5" SHORT | 2 | ANTI-SEEZ ID |
| 14 | 35032 | ISOLATOR HALF, 3.5" LONG | 2 | ANTI-SEEZ ID |
| 15 | 35006 | TAILCONE, 3.5" | 1 | |
| 16 | 30221 | TAILBOLT | 5 | ANTI-SEEZ & TORQUE TO 35FT-LB |
| 17 | 40227 | SERV. REAR WHIP | 1 | TORQUE TO 60FT-LB |
| 18 | 40214 | PNEUMATIC FITTING | 1 | TORQUE TO 90FT-LB |
| 19 | 20735 | HEX DRIVER - 5/32" | 1 | FOR ITEM 10 - NOT SHOWN |
| 20 | 30260 | SOCKET, 3/8" 12-POINT | 1 | FOR ITEM 16 - NOT SHOWN |
| 21 | 40357 | SOCKET, FRONT ANVIL NUT | 1 | FOR ITEM 4 - NOT SHOWN |
| 22 | 2114 | DECAL, SMALL TOOL | 1 | NOT SHOWN |
| 23 | 2115 | DECAL, HAMMERHEAD 12" RED | 1 | NOT SHOWN |
| 24 | 923-1877 | DECAL, PATENTS | 1 | NOT SHOWN |

924-0025 REV E

3.50" (89 mm) RH PP DF

HAMMERHEAD®

**Thank you for buying and using Genuine HammerHead
Trenchless Equipment, parts and accessories.**