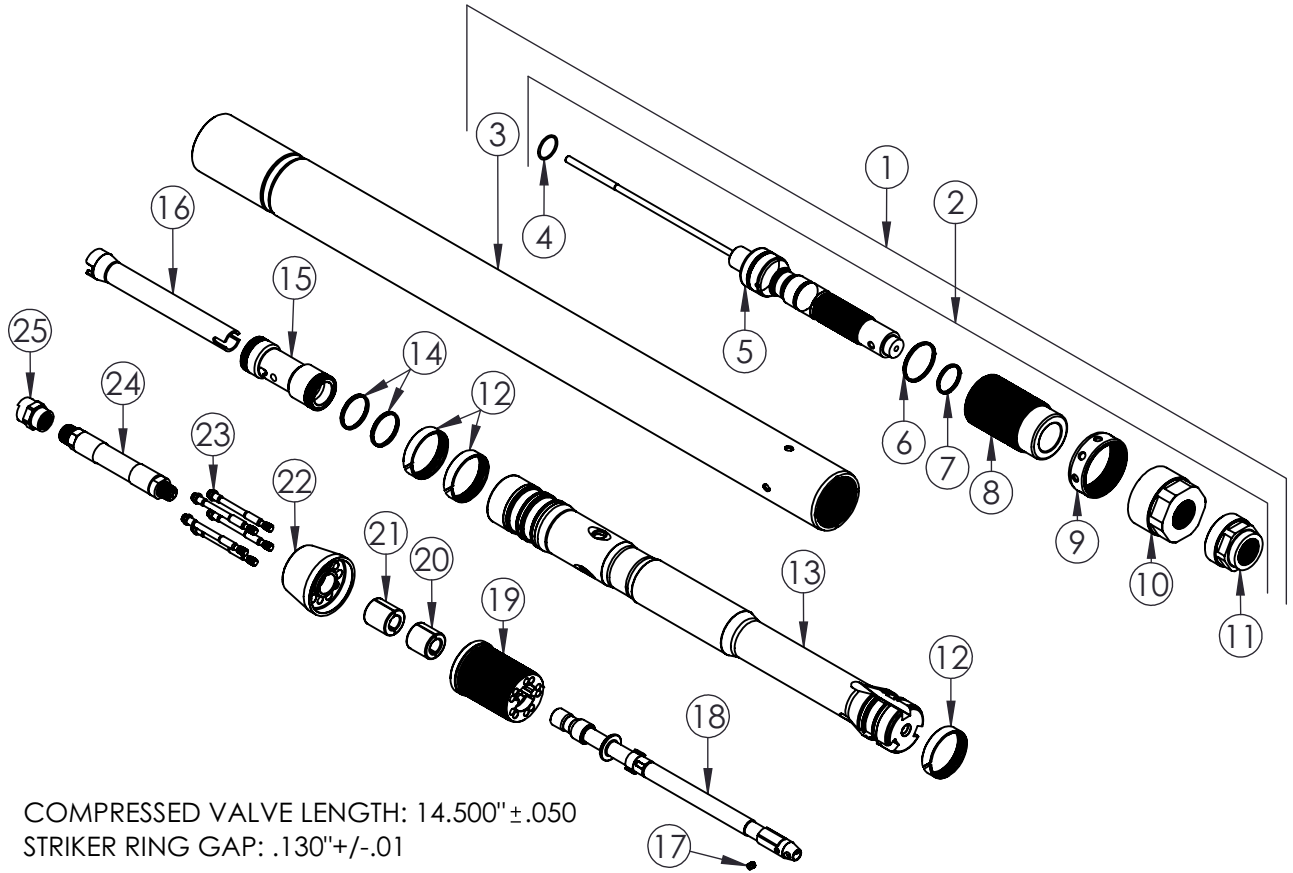


3.50" (89 mm) CAT PP DF, PN 35122

CAT – CATAMOUNT, PP – POWER PORT, DF – DEBRIS FREE

EXPLODED VIEW



COMPRESSED VALVE LENGTH: 14.500" ± .050
STRIKER RING GAP: .130" +/- .01

3.50" (89 mm) CAT PP DF

HAMMERHEAD®

For the latest in trenchless equipment and solutions or to find your local authorized dealer, visit our website at www.hammerheadtrenchless.com.

3.50" (89 mm) CAT PP DF, PN 35122

CAT – CATAMOUNT, PP – POWER PORT, DF – DEBRIS FREE

PARTS LIST

| ITEM | PART NUMBER | DESCRIPTION | QTY. | REMARKS |
|------|-------------|----------------------------------|------|------------------------------------|
| 1 | 35038 | BODY ASSY 3.5" CTMNT | 1 | INCLUDES ITEMS 3-11 & 28-29 |
| 2 | 35070 | HEAD KIT ASSY 3.5" CAT | 1 | INCLUDES ITEMS 4 -11 |
| 4 | 35067 | RING, SEAL | 1 | FACTORY REPLACEABLE |
| 5 | | BITSHAFT ASSEMBLY, 3.5" | 1 | FACTORY REPLACEABLE |
| 6 | 35023 | RING, SEAL | 1 | FACTORY REPLACEABLE |
| 7 | 35021 | RING, SEAL | 1 | FACTORY REPLACEABLE |
| 8 | | FRONT BUSHING- 3.5" CTMNT | 1 | FACTORY REPLACEABLE |
| 9 | | JAM NUT, 3.5 CTMNT | 1 | FACTORY REPLACEABLE |
| 10 | | HEAD, REAR 3.5" CTMNT | 1 | ANTI-SEEZ & SET HD TRVL .20±.01 |
| 11 | | HEAD, FRONT 3.5" CTMNT | 1 | ANTI-SEEZ & TORQUE TO 1600FT-LB |
| 12 | 35010 | STRIKER RING | 3 | |
| 13 | 35004 | STRIKER 3.5" CATAMOUNT | 1 | |
| 14 | 35043 | VALVE RING REPLACEMENT KIT, 3.5" | 1 | INCLUDES TWO RINGS & COMPRESSOR |
| 15 | 35042 | VALVE REPLACEMENT KIT, 3.5" | 1 | INCLUDES VALVE, RINGS & COMPRESSOR |
| 16 | 35017 | CONTROL SLEEVE, 3.5" | 1 | |
| 17 | 25115 | CONTROL STUD | 1 | ANTI-SEEZ & TORQUE TO 50IN-LB |
| 18 | 35020 | CONTROL STEM, 3.5" | 1 | |
| 19 | 35005 | REAR ANVIL, 3.5" | 1 | ANTI-SEEZ & HAND TIGHT TO BODY |
| 20 | 35033 | ISOLATOR HALF, 3.5" SHORT | 2 | ANTI-SEEZ ID |
| 21 | 35032 | ISOLATOR HALF, 3.5" LONG | 2 | ANTI-SEEZ ID |
| 22 | 35006 | TAILCONE, 3.5" | 1 | |
| 23 | 30221 | TAILBOLT | 5 | ANTI-SEEZ & TORQUE TO 35FT-LB |
| 24 | 40227 | SERV. REAR WHIP | 1 | TORQUE TO 60FT-LB |
| 25 | 40214 | PNEUMATIC FITTING | 1 | TORQUE TO 90FT-LB |
| 26 | 20735 | HEX DRIVER - 5/32" | 1 | FOR ITEM 17 - NOT SHOWN |
| 27 | 30260 | SOCKET, 3/8" 12-POINT | 1 | FOR ITEM 23 - NOT SHOWN |
| 28 | 2114 | DECAL, SMALL TOOL | 1 | NOT SHOWN |
| 29 | 2115 | DECAL, HAMMERHEAD 12" RED | 1 | NOT SHOWN |
| 30 | 923-1877 | DECAL, PATENTS | 1 | NOT SHOWN |

924-0026 REV G

3.50" (89 mm) CAT PP DF

HAMMERHEAD®

Thank you for buying and using Genuine HammerHead
Trenchless Equipment, parts and accessories.