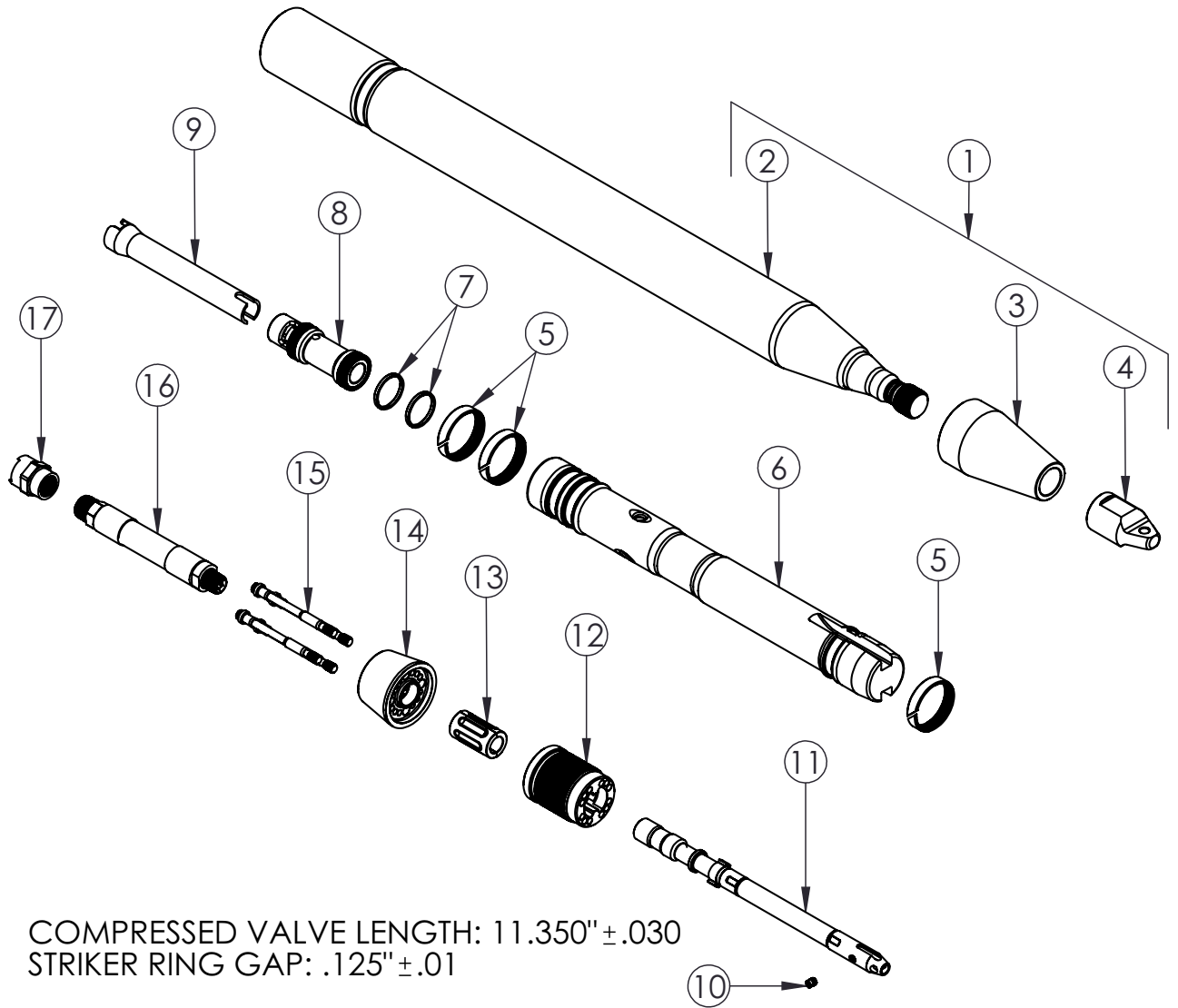


3.00" (75 mm) RH PP SW, PN 31622

RH – REPLACEABLE HEAD, PP – POWER PORT®, SW – SIDEWALKER

EXPLODED VIEW



3.00" (75 mm) RH PP SW

HAMMERHEAD®

3.00" (75 mm) RH PP SW, PN 31622

RH – REPLACEABLE HEAD, PP – POWER PORT®, SW – SIDEWALKER

PARTS LIST

ITEM	PART NUMBER	DESCRIPTION	QTY.	REMARKS
1	31601	BODY ASSEMBLY 3" RH PP SW	1	INCLUDES ITEMS 2, 3, 4 & 21-23
3	30607	WEARFACE	1	ANTI-SEEZ
4	30606	ANVIL NUT	1	ANTI-SEEZ & TORQUE TO 500FT-LB
5	30210	STRIKER RING, 3"	3	
6	31614	STRIKER, 3.0" PP SW	1	
7	31007	VALVE RING REPLACEMENT KIT 3.0"	1	INCLUDES TWO RINGS & COMPRESSOR
8	31613	VALVE REPL. KIT 3" PP SW	1	INCLUDES VALVE, RINGS & COMPRESSOR
9	31609	CONTROL SLEEVE, 3.0" PP DF SW	1	
10	25115	CONTROL STUD	1	ANTI-SEEZ & TORQUE TO 50IN-LB
11	31620	CONTROL STEM, 3" PP SW	1	
12	31615	REAR ANVIL, 3.0" PP DF	1	ANTI-SEEZ & HAND TIGHT TO BODY
13	30703	ISOLATOR HALF, 2.5"&3.0" DF	2	ANTI-SEEZ ID
14	30716	TAILCONE, 3.0" PP DF	1	
15	30221	TAILBOLT	4	ANTI-SEEZ & TORQUE TO 35FT-LB
16	40227	SERV. REAR WHIP	1	TORQUE TO 60FT-LB
17	40214	PNEUMATIC FITTING	1	TORQUE TO 90FT-LB
18	20735	HEX DRIVER - 5/32"	1	FOR ITEM 10 - NOT SHOWN
19	30260	SOCKET, 3/8" 12-POINT	1	FOR ITEM 15 - NOT SHOWN
20	30567	SOCKET, FRONT ANVIL NUT	1	FOR ITEM 4 - NOT SHOWN
21	2114	DECAL, SMALL TOOL	1	NOT SHOWN
22	2115	DECAL, HAMMERHEAD 12" RED	1	NOT SHOWN
23	923-1877	DECAL, PATENTS	1	NOT SHOWN

924-0055 REV C

3.00" (75 mm) RH PP SW

HAMMERHEAD®

Thank you for buying and using Genuine HammerHead
Trenchless Equipment, parts and accessories.