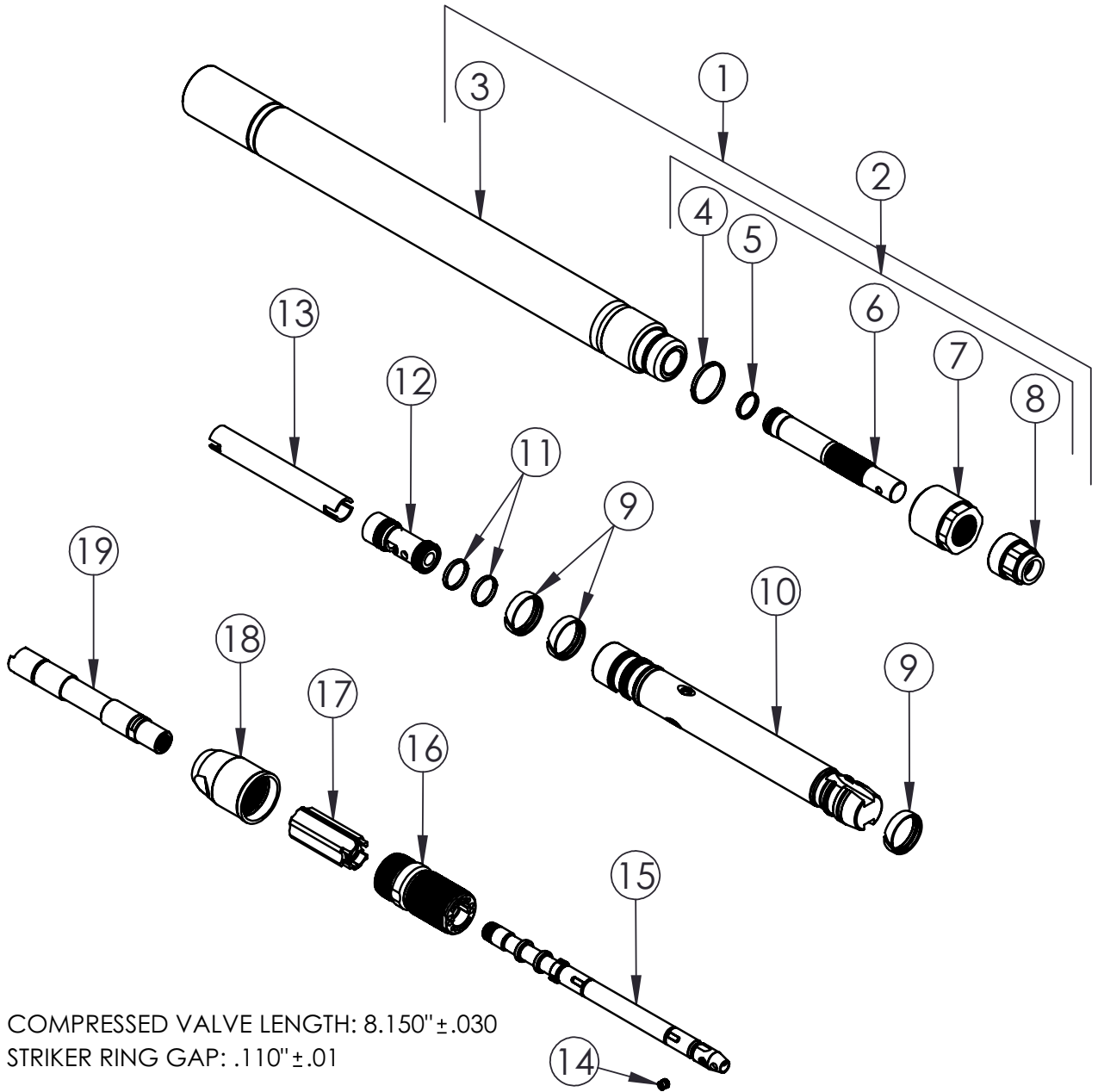


# 2.00" (50 mm) AH PP SW BL, PN 21744

AH – ACTIVE HEAD, PP – POWER PORT, SW – SIDEWALKER, BL – BOLTLESS

## EXPLODED VIEW



2.00" (50 mm) AH PP SW BL

HAMMERHEAD®

For the latest in trenchless equipment and solutions or to find your local authorized dealer, visit our website at [www.hammerheadtrenchless.com](http://www.hammerheadtrenchless.com).

# 2.00" (50 mm) AH PP SW BL, PN 21744

AH – ACTIVE HEAD, PP – POWER PORT, SW – SIDEWALKER, BL – BOLTLESS

## PARTS LIST

ITEM	PART NUMBER	DESCRIPTION	QTY.	REMARKS
1	21742	BODY ASSEMBLY, 2" AH PP SW	1	INCLUDES ITEMS 3, 4-8 & 24-25
2	20738	HEAD REPLACEMENT KIT 2" AH	1	INCLUDES ITEMS 4-8
4	20712	RING, HEAD SEAL	1	
5	20713	RING, BIT SHAFT	1	
6		BIT SHAFT, 2" AH	1	ANTI-SEEZ
7		REAR HEAD	1	ANTI-SEEZ & TORQUE TO FRONT HD 300FT-LB
8		FRONT HEAD	1	ANTI-SEEZ & HAND TIGHT TO BIT SHAFT
9	20210	STRIKER RING, 2"	3	
10	21704	STRIKER, 2.0" AH SW	1	
11	21717	VALVE RING REPLACEMENT KIT	1	INCLUDES TWO RINGS & COMPRESSOR
12	21741	VALVE RPLT KIT, 2.0" AH SW	1	INCLUDES VALVE, RINGS & COMPRESSOR
13	21739	CONTROL SLEEVE, 2.0" AH SW	1	
14	17215	CONTROL STUD	1	ANTI-SEEZ & TORQUE TO 50IN-LB
15	21770	CONTROL STEM, 2.0" PP SW	1	S/N 135457 & LR 21737
16	21705	REAR ANVIL, 2.0" PP	1	ANTI-SEEZ & HAND TIGHT TO BODY
17	21703	ISOLATOR HALF, 2.0" PP	2	ANTI-SEEZ ID
18	21706	TAILCONE, 2.0" PP	1	ANTI-SEEZ & TORQUE TO 250FT-LB
19	20727	EXTERNAL WHIP	1	TORQUE TO 45FT-LB
20	20735	HEX DRIVER - 5/32"	1	FOR ITEM 14 - NOT SHOWN
21	21721	SOCKET, 1-1/2" WRENCH	1	FOR ITEM 18 - NOT SHOWN
22	21753	SOCKET, REAR ANVIL	1	FOR ITEM 16 - NOT SHOWN
23	30448	A.H. AND CTMNT TOOLING	1	FOR ITEMS 7 & 8 - NOT SHOWN
24	2114	DECAL, SMALL TOOL	1	NOT SHOWN
25	2115	DECAL, HAMMERHEAD 12" RED	1	NOT SHOWN
26	923-1877	DECAL, PATENTS	1	NOT SHOWN

924-0006 REV E

2.00" (50 mm) AH PP SW BL

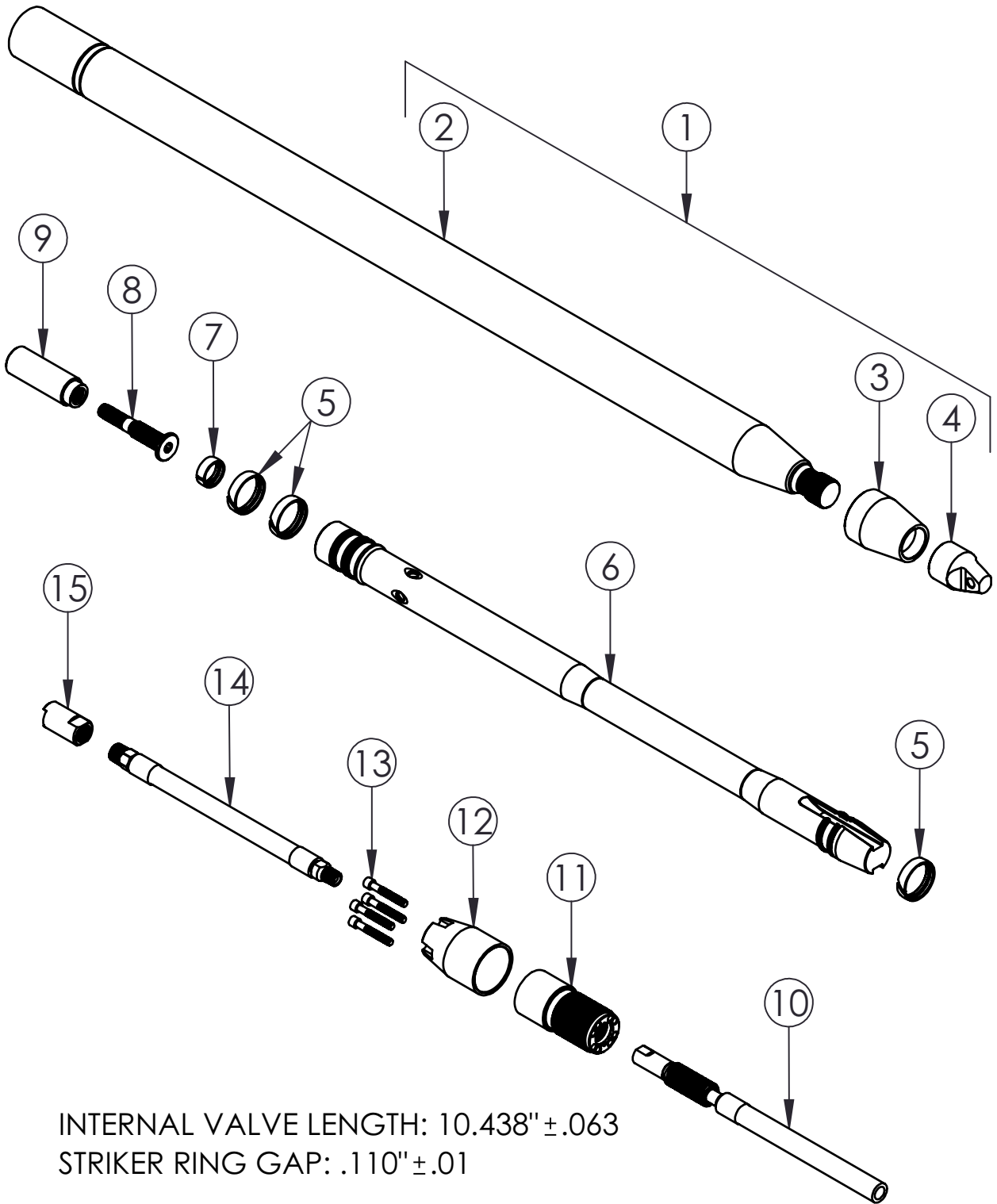
HAMMERHEAD®

Thank you for buying and using Genuine HammerHead  
Trenchless Equipment, parts and accessories.

# 2.00" (50 mm) RH SR, PN 20222

RH – REPLACEABLE HEAD, SR – SCREW REVERSE

## EXPLODED VIEW



INTERNAL VALVE LENGTH: 10.438" ±.063

STRIKER RING GAP: .110" ±.01

2.00" (50 mm) RH SR

HAMMERHEAD®

# 2.00" (50 mm) RH SR, PN 20222

RH – REPLACEABLE HEAD, SR – SCREW REVERSE

## PARTS LIST

ITEM	PART NUMBER	DESCRIPTION	QTY.	REMARKS
1	20304	BODY ASSEMBLY-2" RH SR	1	INCLUDES ITEMS 2, 3, 4 & 19 & 20
3	20313	WEAR FACE, 2"	1	ANTI-SEEZ
4	21750	ANVIL NUT	1	ANTI-SEEZ & TORQUE TO 500FT-LB, S/N 134934 & LR 17207
5	20210	STRIKER RING, 2"	3	
6	20214	2" SR STRIKER	1	
7	20211	VALVE RING 2"	1	
8	20209	VALVE RETAINER	1	ANTI-SEEZ & TORQUE TO 20FT-LB
9	20208	VALVE	1	
10	20226	INTERNAL WHIP-2"	1	ANTI-SEEZ THREADS
11	20205	REAR ANVIL	1	ANTI-SEEZ & HAND TIGHT TO BODY
12	20206	TAILCONE	1	
13	20221	TAILBOLT	4	ANTI-SEEZ & TORQUE TO 120IN-LB
14	17227	HOSE WHIP-REAR	1	TORQUE TO 30FT-LB
15	17242	QUICK CONNECT-FEMALE	1	TORQUE TO 45FT-LB
16	21762	SOCKET, 2.0" ANVIL NUT	1	FOR ITEM 4 - NOT SHOWN
17	20260	HEX DRIVER - 3/16"	1	FOR ITEM 13 - NOT SHOWN
18	20259	HEX KEY, 5/16"	1	FOR ITEM 8 - NOT SHOWN
19	2114	DECAL, SMALL TOOL	1	NOT SHOWN
20	2115	DECAL, HAMMERHEAD 12" RED	1	NOT SHOWN

924-0001 REV E

2.00" (50 mm) RH SR

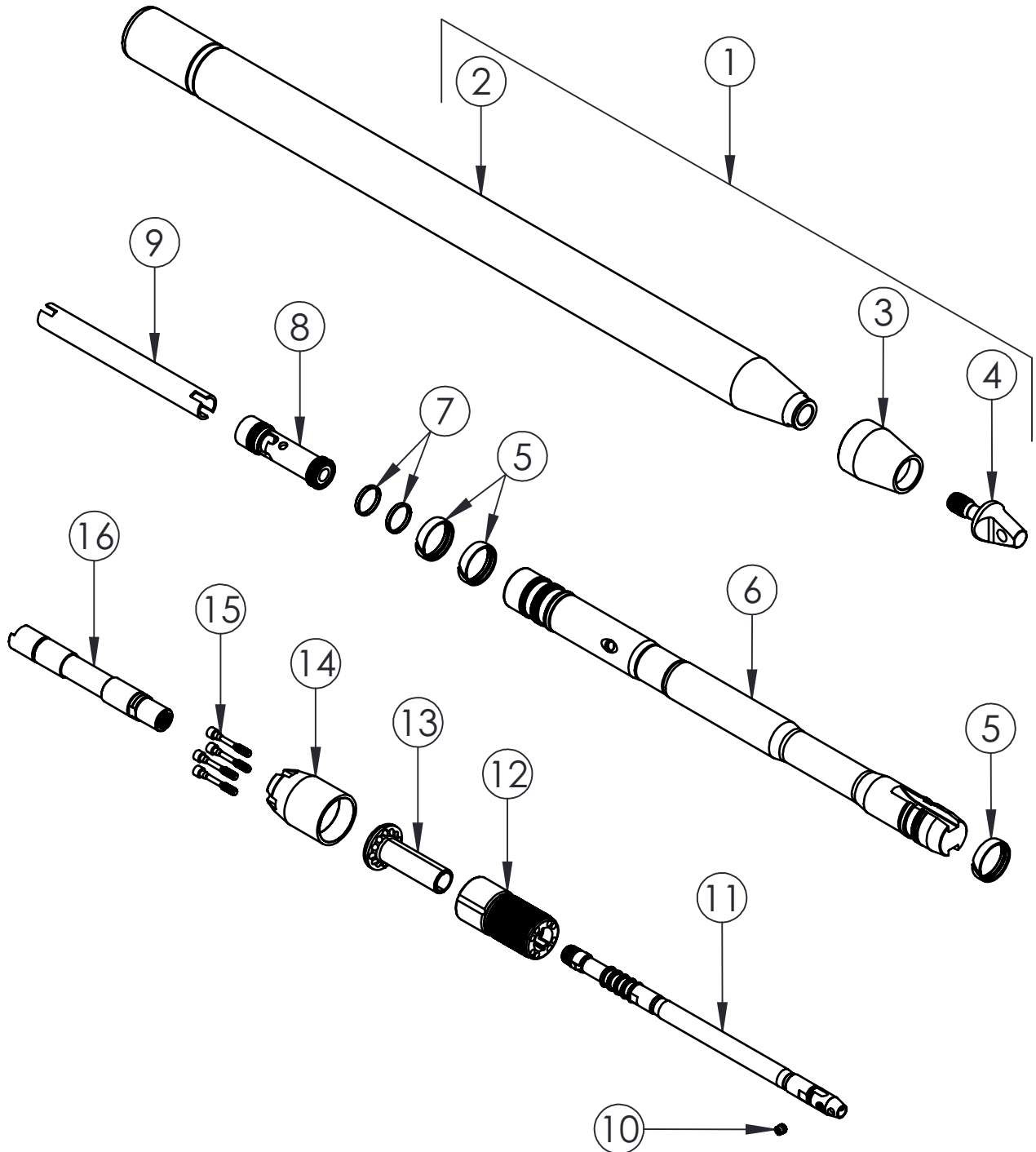
HAMMERHEAD®

Thank you for buying and using Genuine HammerHead  
Trenchless Equipment, parts and accessories.

# 2.00" (50 mm) RH PP, PN 20622

RH – REPLACEABLE HEAD, PP – POWER PORT

## EXPLODED VIEW



2.00" (50 mm) RH PP

HAMMERHEAD®

For the latest in trenchless equipment and solutions or to find your local authorized dealer, visit our website at [www.hammerheadtrenchless.com](http://www.hammerheadtrenchless.com).

# 2.00" (50 mm) RH PP, PN 20622

RH – REPLACEABLE HEAD, PP – POWER PORT

## PARTS LIST

ITEM	PART NUMBER	DESCRIPTION	QTY.	REMARKS
1	20604	BODY ASSEMBLY-2" RH PP	1	INCLUDES ITEMS 2, 3, 4 & 20-22
3	20313	WEAR FACE, 2"	1	ANTI-SEEZ
4	17207	REPLACABLE NOSE BOLT	1	ANTI-SEEZ & TORQUE TO 250FT-LB
5	20210	STRIKER RING, 2"	3	
6	20704	STRIKER 2" PP	1	
7	21717	VALVE RING REPLACEMENT KIT	1	INCLUDES TWO RINGS & COMPRESSOR
8	21716	VALVE REPLACEMENT KIT	1	INCLUDES VALVE, RINGS & COMPRESSOR
9	20717	CONTROL SLEEVE 2" PP	1	
10	17215	CONTROL STUD	1	ANTI-SEEZ & TORQUE TO 50IN-LB
11	20720	CONTROL STEM	1	
12	20705	REAR ANVIL	1	ANTI-SEEZ & BACK OFF 1/8 TURN
13	20703	ISOLATOR - 2"	2	ANTI-SEEZ ID
14	20747	ANGLED EXH TAILCONE-2" PP	1	
15	20721	TAILBOLT, 2" PP	4	ANTI-SEEZ & TORQUE TO 144IN-LB
16	20727	EXTERNAL WHIP	1	TORQUE TO 45FT-LB
17	20735	HEX DRIVER - 5/32"	1	FOR ITEM 10 - NOT SHOWN
18	21756	ASSY, SOCKET, NOSEBOLT	1	FOR ITEM 4 - NOT SHOWN
19	20260	HEX DRIVER - 3/16"	1	FOR ITEM 15 - NOT SHOWN
20	2114	DECAL, SMALL TOOL	1	NOT SHOWN
21	2115	DECAL, HAMMERHEAD 12" RED	1	NOT SHOWN
22	2128	DECAL, SMALL TOOL PATENT RH PP	1	NOT SHOWN

924-0002 REV A

2.00" (50 mm) RH PP

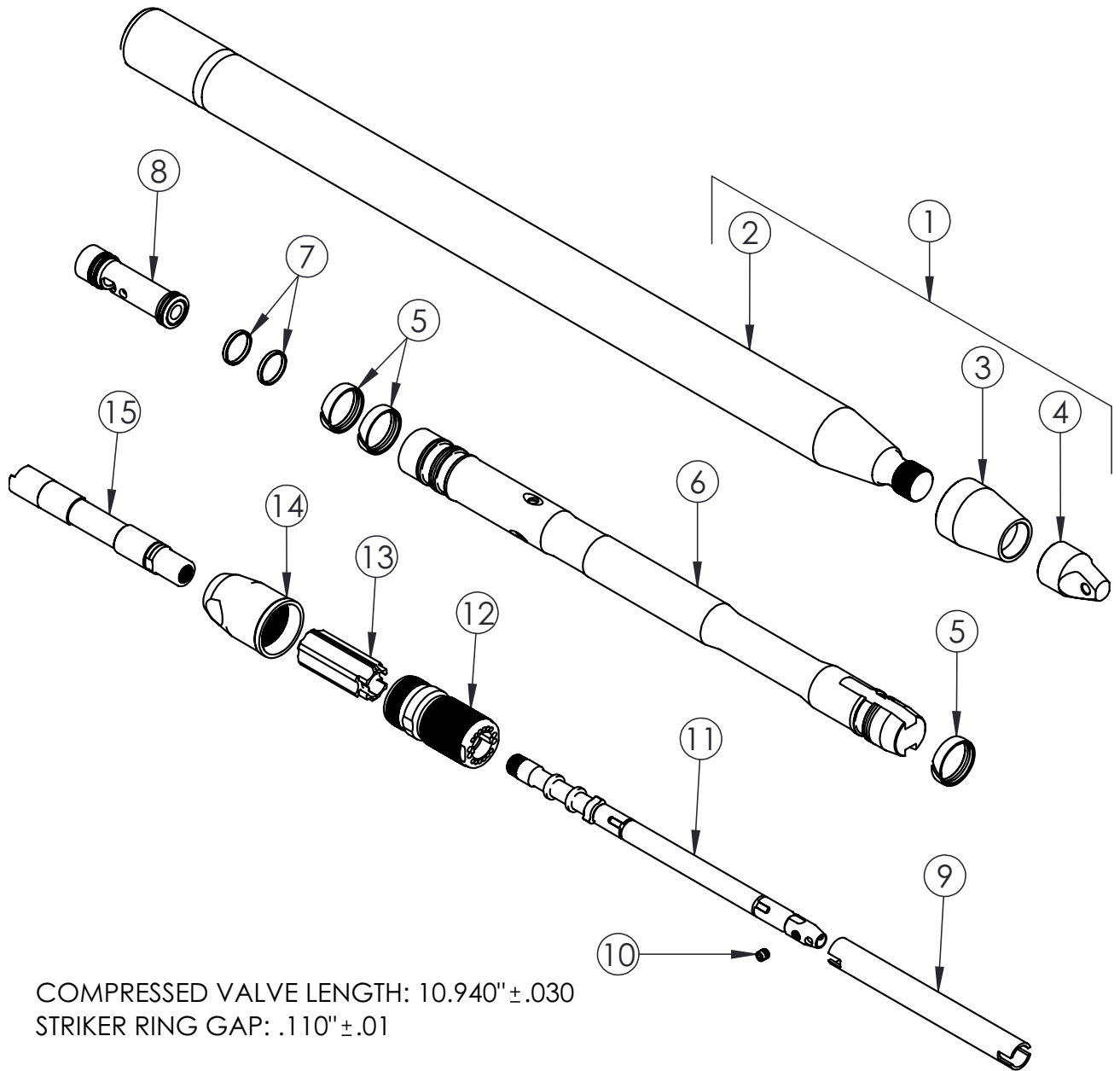
HAMMERHEAD®

Thank you for buying and using Genuine HammerHead  
Trenchless Equipment, parts and accessories.

# 2.00" (50 mm) RH PP BL, PN 21733

RH – REPLACEABLE HEAD, PP – POWER PORT, BL – BOLTLESS

## EXPLODED VIEW



COMPRESSED VALVE LENGTH: 10.940" ±.030  
STRIKER RING GAP: .110" ±.01

2.00" (50 mm) RH PP BL

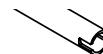
HAMMERHEAD®

# 2.00" (50 mm) RH PP BL, PN 21733

RH – REPLACEABLE HEAD, PP – POWER PORT, BL – BOLTLESS

## PARTS LIST

STRIKER RING GAP: .110" ±.01



ITEM	PART NUMBER	DESCRIPTION	QTY.	REMARKS
1	20604	BODY ASSEMBLY-2" RH PP	1	INCLUDES ITEMS 2, 3, 4 & 20-22
3	20313	WEAR FACE, 2"	1	ANTI-SEEZ
4	21750	ANVIL NUT	1	ANTI-SEEZ & TORQUE TO 500FT-LB, S/N 134934 & LR 17207
5	20210	STRIKER RING, 2"	3	
6	20704	STRIKER 2" PP	1	
7	21717	VALVE RING REPLACEMENT KIT	1	INCLUDES TWO RINGS & COMPRESSOR
8	21716	VALVE REPLACEMENT KIT	1	INCLUDES VALVE, RINGS & COMPRESSOR
9	20717	CONTROL SLEEVE 2" PP	1	
10	17215	CONTROL STUD	1	ANTI-SEEZ & TORQUE TO 50IN-LB
11	21760	CONTROL STEM, 2.0" PP	1	S/N 135457 & LR 21720
12	21705	REAR ANVIL, 2.0" PP	1	ANTI-SEEZ & HAND TIGHT TO BODY
13	21703	ISOLATOR HALF, 2.0" PP	2	ANTI-SEEZ ID
14	21706	TAILCONE, 2.0" PP	1	ANTI-SEEZ & TORQUE TO 250FT-LB
15	20727	EXTERNAL WHIP	1	TORQUE TO 45FT-LB
16	20735	HEX DRIVER - 5/32"	1	FOR ITEM 10 - NOT SHOWN
17	21762	SOCKET, 2.0" ANVIL NUT	1	FOR ITEM 4 - NOT SHOWN
18	21721	SOCKET, 1-1/2" WRENCH	1	FOR ITEM 14 - NOT SHOWN
19	21753	SOCKET, REAR ANVIL	1	FOR ITEM 12 - NOT SHOWN
20	2114	DECAL, SMALL TOOL	1	NOT SHOWN
21	2115	DECAL, HAMMERHEAD 12" RED	1	NOT SHOWN
22	924-1877	DECAL, PATENTS	1	NOT SHOWN

924-0003 REV G

2.00" (50 mm) RH PP BL

HAMMERHEAD®

Thank you for buying and using Genuine HammerHead  
Trenchless Equipment, parts and accessories.