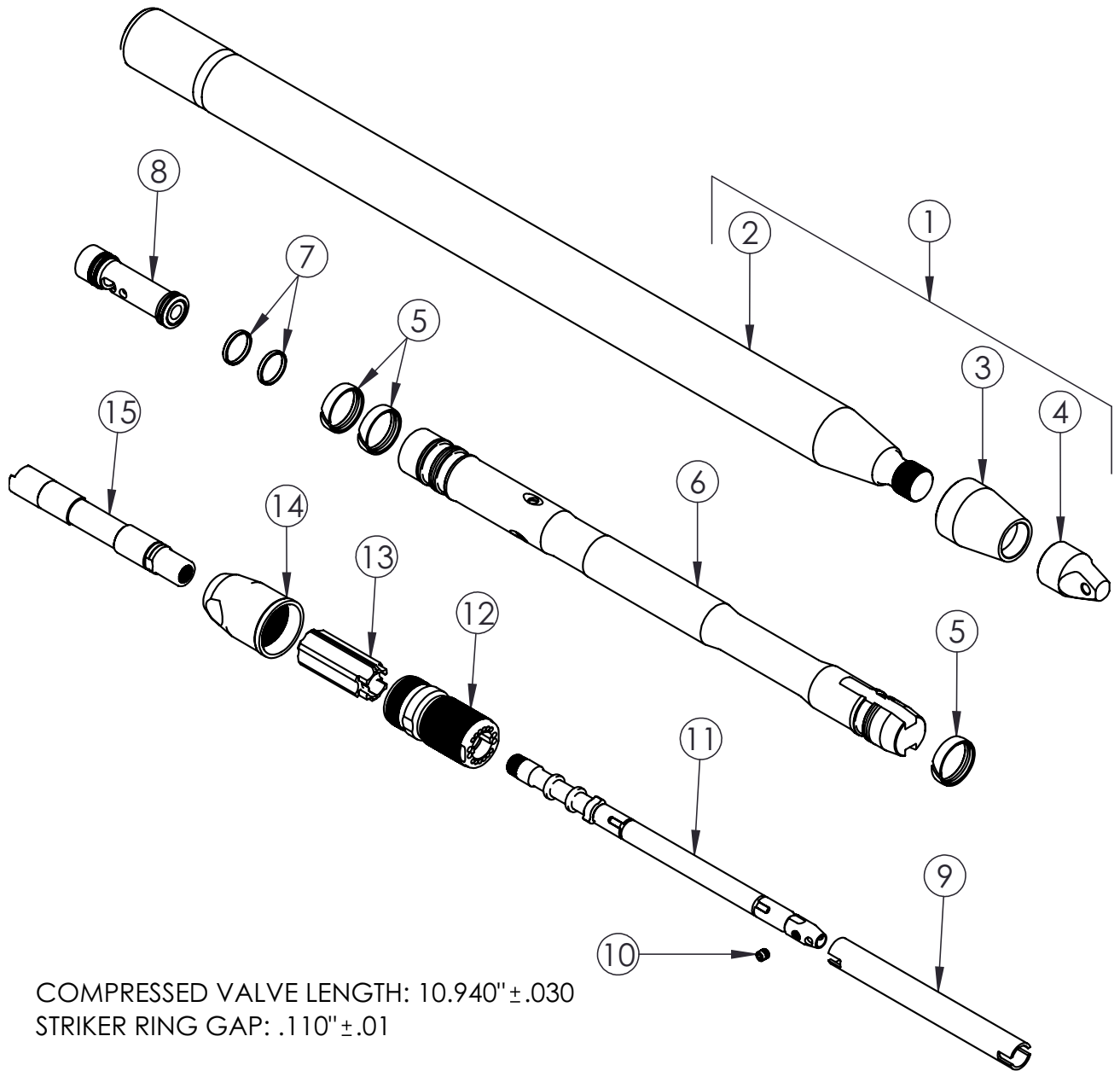


2.00" (50 mm) RH PP BL, PN 21733

RH – REPLACEABLE HEAD, PP – POWER PORT, BL – BOLTLESS

EXPLODED VIEW



COMPRESSED VALVE LENGTH: 10.940" \pm .030
STRIKER RING GAP: .110" \pm .01

2.00" (50 mm) RH PP BL

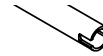
HAMMERHEAD®

2.00" (50 mm) RH PP BL, PN 21733

RH – REPLACEABLE HEAD, PP – POWER PORT, BL – BOLTLESS

PARTS LIST

STRIKER RING GAP: .110" ±.01



ITEM	PART NUMBER	DESCRIPTION	QTY.	REMARKS
1	20604	BODY ASSEMBLY-2" RH PP	1	INCLUDES ITEMS 2, 3, 4 & 20-22
3	20313	WEAR FACE, 2"	1	ANTI-SEEZ
4	21750	ANVIL NUT	1	ANTI-SEEZ & TORQUE TO 500FT-LB, S/N 134934 & LR 17207
5	20210	STRIKER RING, 2"	3	
6	20704	STRIKER 2" PP	1	
7	21717	VALVE RING REPLACEMENT KIT	1	INCLUDES TWO RINGS & COMPRESSOR
8	21716	VALVE REPLACEMENT KIT	1	INCLUDES VALVE, RINGS & COMPRESSOR
9	20717	CONTROL SLEEVE 2" PP	1	
10	17215	CONTROL STUD	1	ANTI-SEEZ & TORQUE TO 50IN-LB
11	21760	CONTROL STEM, 2.0" PP	1	S/N 135457 & LR 21720
12	21705	REAR ANVIL, 2.0" PP	1	ANTI-SEEZ & HAND TIGHT TO BODY
13	21703	ISOLATOR HALF, 2.0" PP	2	ANTI-SEEZ ID
14	21706	TAILCONE, 2.0" PP	1	ANTI-SEEZ & TORQUE TO 250FT-LB
15	20727	EXTERNAL WHIP	1	TORQUE TO 45FT-LB
16	20735	HEX DRIVER - 5/32"	1	FOR ITEM 10 - NOT SHOWN
17	21762	SOCKET, 2.0" ANVIL NUT	1	FOR ITEM 4 - NOT SHOWN
18	21721	SOCKET, 1-1/2" WRENCH	1	FOR ITEM 14 - NOT SHOWN
19	21753	SOCKET, REAR ANVIL	1	FOR ITEM 12 - NOT SHOWN
20	2114	DECAL, SMALL TOOL	1	NOT SHOWN
21	2115	DECAL, HAMMERHEAD 12" RED	1	NOT SHOWN
22	924-1877	DECAL, PATENTS	1	NOT SHOWN

924-0003 REV G

2.00" (50 mm) RH PP BL

HAMMERHEAD®

Thank you for buying and using Genuine HammerHead
Trenchless Equipment, parts and accessories.